



CASCAIDE®

1-800-283-6266

Phone: (713) 466-1449 Fax: (713) 466-1703
E-mail: customerservice@cascaide.com

CASCAIDE® EYEWASH W/SST BOWL AND WALL BRACKET PART NUMBER: CC02210

SPECIFICATION:

Third party certified to ANSI Z358.1, the eyewash shall deliver 2.40 gpm (9.08 lpm) @ 30/70 psi (206.84/482.63 kPa) of flowing pressure. Eyewash shall provide a non-injurious stream of water for 15 minutes or longer. Unit shall be supplied with .50" chrome plated (CP) single motion activation stay open ball valve with CP ball. Eyewash shall include stainless steel (SS) actuator with actuation graphic, 7" X 11" (17.78cm X 27.94cm) sign and stainless steel wall mounting bracket. Unit must be supplied with self-adjusting 2.40 gpm (9.08 lpm) regulator to assure a constant and even dual stream flow pattern under 30/70 psi (206.84/482.63 kPa) hydraulic conditions. Eyewash heads with integral hinged covers to be manufactured of solvent resistant acetal mounted on chrome plated brass wye in a type 304 stainless steel bowl.

Eyewash covers are provided to inhibit dust and/or contamination when not in use. Eyewash units with deteriorating screens/filters are not acceptable.

The supply for the unit will be installed above the drain, eliminating backflow opportunity.

MATERIALS OF CONSTRUCTION:

PIPING: .50" Chrome plated brass.

VALVES: .50" Chrome plated bronze stay open ball valve with chrome plated ball, stainless steel valve stem and stainless steel push plate with actuation graphic.

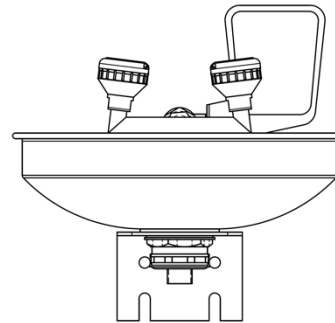
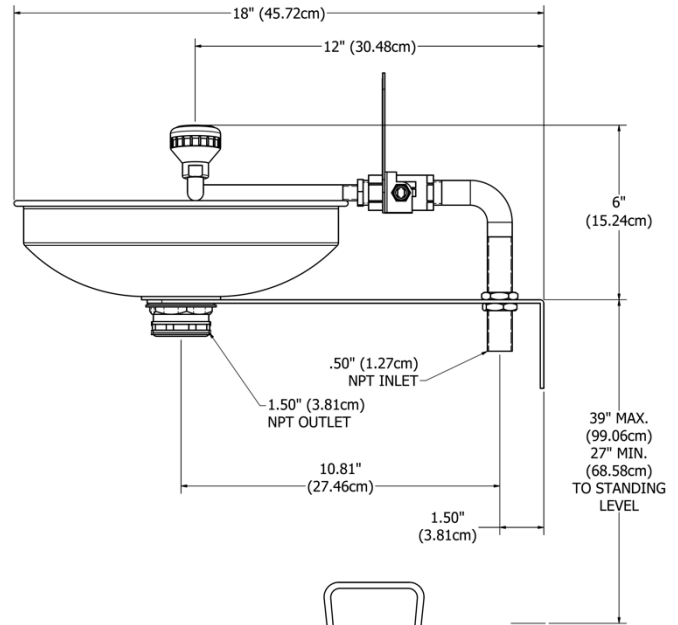
EYEWASH HEAD: Acetal dual stream heads with integral hinged covers and chrome plated brass wye assembly.

BOWL: Type 304 stainless steel bowl with stainless steel wall mount bracket.

REGULATOR: Self-adjusting 2.40 gpm (9.08 lpm) regulator assures a constant and even dual stream flow pattern under varying hydraulic conditions.

SUPPLY: .50" NPT

WASTE: 1.50" NPT



MODEL #	DESCRIPTION
CC02210	Unit as Specified

